

April 2003

 **CHALLENGE** 

MOTOR MOUNTS



April 2003

Rapid Fit Motor Mount

Specification

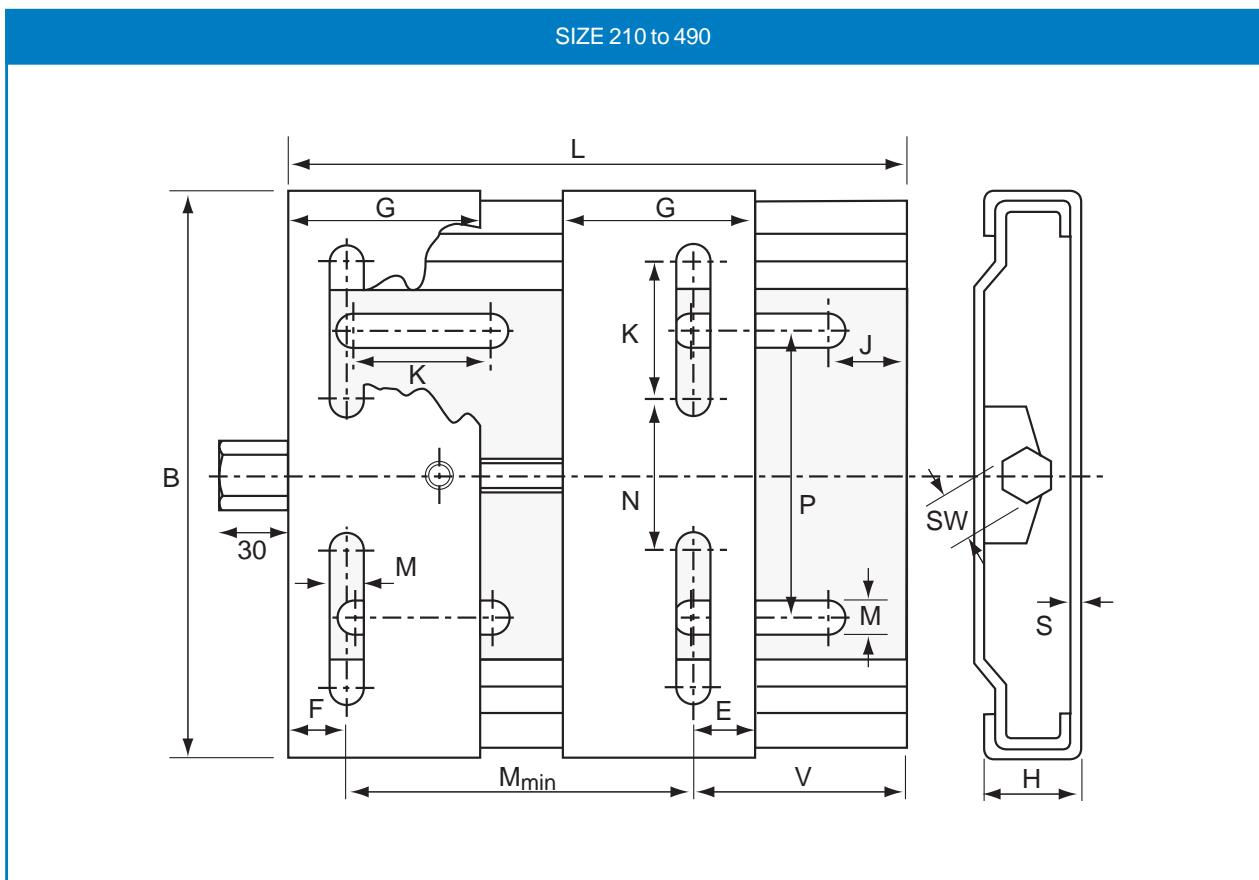
The fastest and most economical method of securing motors to machine beds. The five sizes are manufactured from galvanised steel and they can accommodate motor frame sizes 63 to 180. They have four slotted holes for fastening the base to the foundation.

Alignment

The pressed top plate is designed to slide over the base plate preventing vibration and noise whilst ensuring continuous belt alignment. Belts are tensioned by adjusting a single screw.

Motor Mounting

The motor is bolted to the two piece top plate which accommodates a wide range of motors. Centre distance adjustments can be made without the need to loosen the motor bolts.



Dimensions for Sizes 210 to 490 Rapid Fit Motor Mount

Type	Frame Size	L	B	H	M _{min}	G	E	J	K	M	N	P	SW	S
210	63 - 80	210	195	33	100	70	20	25	50.0	10.5	43	98	19	3
270	63 - 100	270	195	33	100	70	20	25	50.0	10.5	43	98	19	3
340	90 - 132	340	290	40	140	95	27	29	62.5	12.5	90	165	22	4
430	90 - 160	430	290	40	140	95	27	29	62.5	12.5	90	165	22	4
490	160 - 180	490	410	40	254	95	40	30	60.0	15.0	193	142/284	22	4

Motor Mount

Specification

Produced in three sizes for motors from frame size 63 to 225 and manufactured from pressed steel fabrications with four slotted holes for fastening the base to the foundation.

Alignment

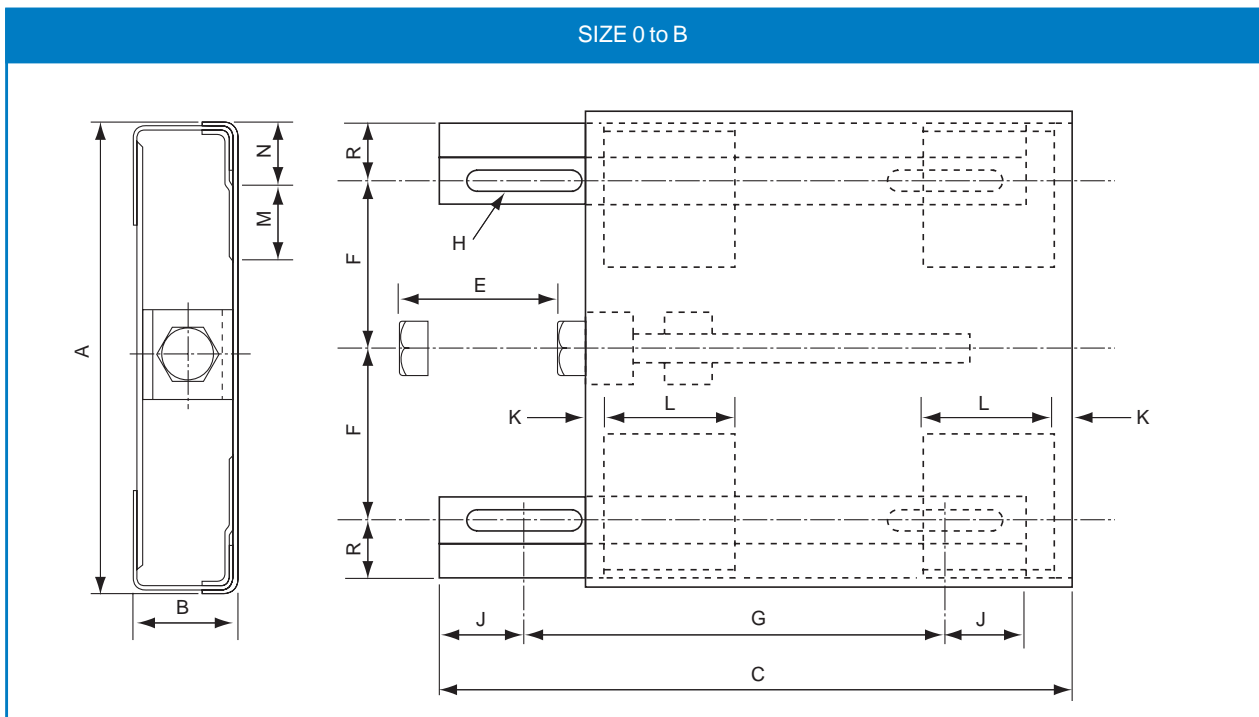
The pressed top plate is designed to slide exactly over the mounting rails preventing vibration and noise whilst ensuring continuous belt alignment. Belts are tensioned by adjusting a single screw which is possible whilst the motor is running.

Surface Finish

Stove enamelled finish with zinc plated adjustment screws to prevent corrosion.

Motor Mounting

The top plate requires drilling to accommodate the required motor mounting bolts. Centre distance adjustments can be made without the need to loosen the motor bolts.



Dimensions for Sizes 0 to B Motor Mounts

Base Ref	Motor Frame Ref	Motor Bolt Holes	A	B	C	D	Movement E	F	G	H	J	K	I	M	N	R	SW	Approx. Weight kg
0	63 71	7	146	29	225	170	80	55.0	148	9.5 x 25	27	60	50	32	18	15.0	17	1.4
A	80 90S 90L	10	240	55	325	258	100	89.0	215	13 x 51	45	10	70	51	32	28.5	24	5.3
	100S 100L 112S 112M 132S	12																
	132M	12																
	160M 160L 180M 180L	15																
	200M 200L 225S 225M	19																
B			428	60	578	450	180	172.5	370	17 x 50	51	28	100	98	42	36.0	24	19.0

All dimensions in millimetres unless otherwise stated

Slide Rails

Specification

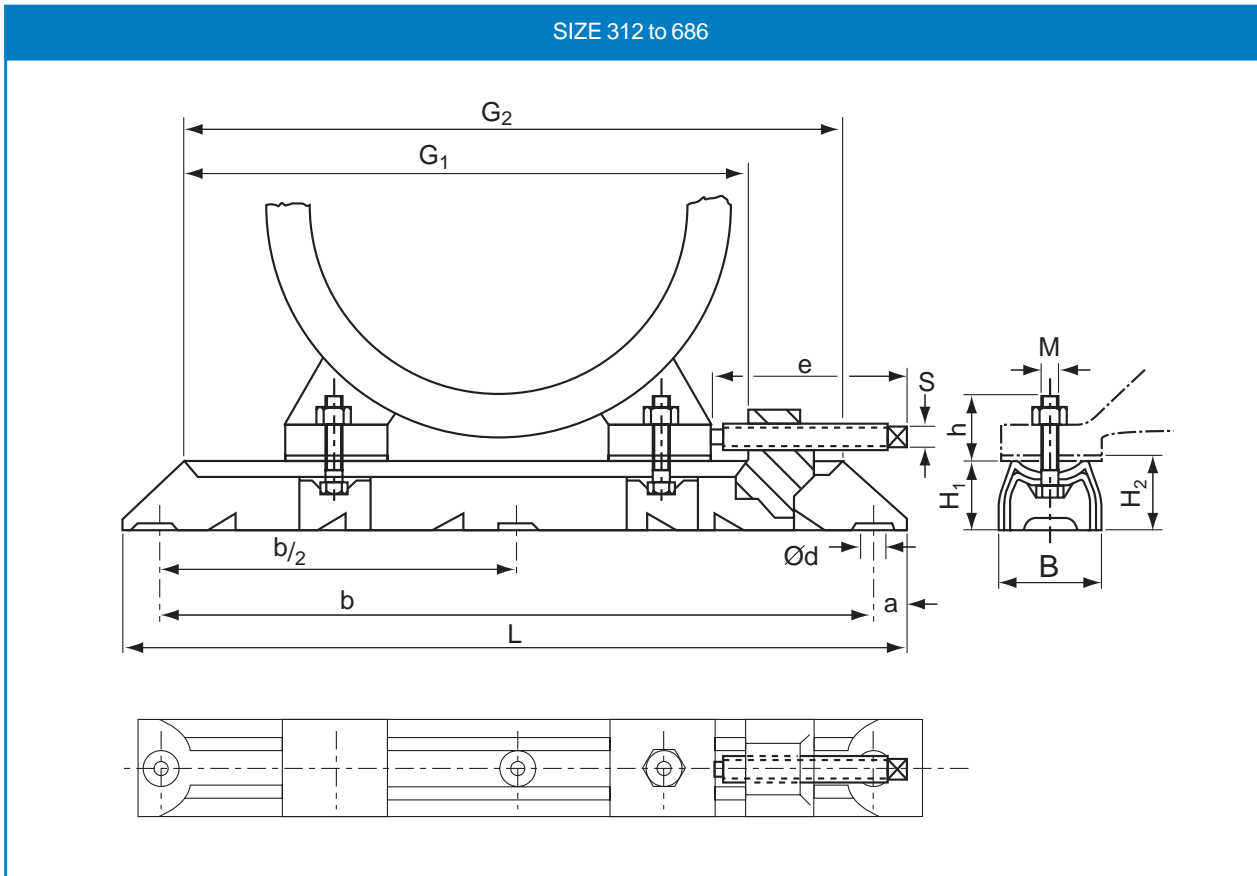
Covering frame sizes 63 to 225, Challenge slide rails are manufactured in galvanised steel with movable positioning blocks for rapid accurate drive alignment.

Alignment

The pressed steel rails are solidly fixed by three securing bolts while the motor is bolted to the rails eradicating vibration and noise whilst ensuring rigid positioning.

Motor Mounting

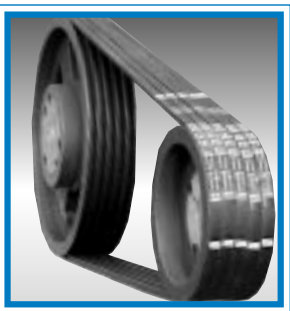
The motor is bolted to the slide rails and positioned with the aid of adjustment screws. The motor must be stopped and the motor bolts loosened before repositioning.



Dimensions for Sizes 312 to 686 Slide Rails

Base Ref	Overall Length L	Slide Length G ₁	Motor Frame Ref	M x h	I x S	G ₂	a	b	b/2	Ø d	B	H ₁	H ₂	Weight kg
312/6	312	240	63/71	M6 x 19	75 x 6	262	16	280	-	12	40	28	30	1.4
312/8	312	240	80/90	M8 x 27	75 x 6	262	16	280	-	12	40	28	30	1.5
375/6	375	305	63/71	M6 x 19	75 x 6	325	16	343	-	12	40	26	30	1.5
375/8	375	305	80/90	M8 x 27	75 x 6	325	16	343	-	12	40	28	30	1.6
375/10	375	305	100/112	M10 x 32	75 x 6	325	16	343	-	12	40	28	30	1.6
395/8	395	302	80/90	M8 x 28	97 x 8	325	20	355	-	12	50	40	43	3.4
395/10	395	302	100/112	M10 x 35	97 x 8	325	20	355	-	12	50	40	43	3.4
495/8	495	405	80/90	M8 x 29	97 x 8	425	20	455	-	12	50	40	43	4.0
495/10	495	405	100/112/132	M10 x 35	97 x 8	425	20	455	-	12	50	40	43	4.0
495/12	495	405	160	M12 x 49	97 x 8	425	20	455	-	12	50	40	43	4.0
530/10	530	413	132	M10 x 37	119 x 9	442	25	480	-	14	60	50	54	6.4
530/12	530	413	160	M12 x 49	119 x 9	442	25	480	-	14	60	50	54	6.4
630/10	630	515	132	M10 x 37	119 x 9	542	25	580	-	14	60	50	54	8.2
630/12	630	515	160/180	M12 x 45	119 x 9	542	25	580	-	14	60	50	54	8.2
686/12	686	538	160/180	M12 x 43	154 x 12	575	28	630	315	18	75	60	64	12.8
686/16	686	538	200/225	M16 x 62	154 x 12	575	28	630	315	18	75	60	64	12.8

All dimensions in millimetres unless otherwise stated



CHALLENGE

Worldwide Sales

CHALLENGE WORLDWIDE PLC

Falcon Manor
Greens Norton
Northamptonshire
NN12 8BL
England.
Tel: +44 (0)1327 353999
Fax: +44 (0)1327 353326
Email: sales@challengept.com

European Sales

CHALLENGE POWER TRANSMISSION PLC

Phoenix Road,
Wednesfield,
Wolverhampton,
West Midlands.
WV11 3PX
England.
Tel: +44 (0)1902 866116
Fax: +44 (0)1902 866117
Email: uksales@challengept.com

CHALLENGE POWER TRANSMISSION (IRELAND) LTD

Unit 202, Holly Road,
Western Industrial Estate,
Dublin 12,
Eire.
Tel: 01 456 6311
Fax: 01 456 6312
Email: ireland@challengept.com

Website: www.challengept.com